

# The OLYMPUS EP50 color camera

## 1 Scope of supply

- Camera with protective cap
- SD card for image saving
- Power supply unit
- USB Ethernet adapter
- HDMI cable
- USB mouse
- Quick Start Guide



You require a power supply unit and a power cord to power the camera. The power supply unit is supplied with the camera. The country-specific power cord is not included in the delivery. Please contact your OLYMPUS sales representative in this regard.



A USB WLAN adapter is required to operate the camera in WLAN mode. This adapter is not included in the delivery. Please contact your OLYMPUS sales representative in this regard.

## 2 Specifications

Technical data	OLYMPUS EP50
Chip type	CMOS
Chip size	1/1.8 inch
Effective area (width x height)	7.410 mm x 4.980 mm
Pixel size	2.4 μm x 2.4 μm
Maximum resolution	2592 x 1944 pixels
Bit depth	24 bit
Interfaces	HDMI, SD card, USB (for mouse and WLAN adapter or Ethernet adapter, not for USB data storage devices or for connection to a computer)
Camera mount	Standard C-Mount

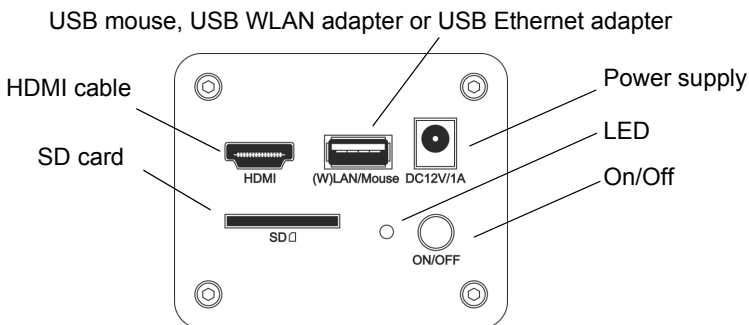
### Resolutions and frame rates

Acquisition mode	Image format	Resolution	Frame rate	Exposure times
Live and Movie (in WLAN mode and LAN mode)	16:9	1920 x 1080 pixels (Full HD)	up to 25 frames per second (depending on network environment)	1 ms - 918 s
Live (via HDMI cable)	16:9	1920 x 1080 pixels (Full HD)	60 frames per second	1 ms - 918 s
Movie (via OSD software)	16:9	1920 x 1080 pixels (Full HD)	30 frames per second	1 ms - 918 s
Snapshot	4:3	2592 x 1944 pixels	---	1 ms - 918 s

### 3 Intended use

This camera is intended to be used for the acquisition of digital images, but not for clinical diagnostic purposes.

### 4 Ports on the back of the camera



*Status of the LED on the back of the camera*

- Red LED lights up continuously = camera is off
- Blue LED flashes 1x per second = camera initialization
- Blue LED flashes 4x per second = camera transfers data (in WLAN mode and LAN mode)
- Blue LED lights up continuously = camera is ready. This status only occurs when the camera is used with the OSD software. OSD stands for On-Screen Display.

### 5 Further information

*Installation Manual*

For the OLYMPUS EP50 camera, an installation manual is available. It contains more detailed information, for example, the chapter “Notes on conformity and disposal”. Please download the PDF file from one of these websites:

<https://www.olympus-ims.com/en/resources/>

<https://www.olympus-lifescience.com/en/resources/>

*Software and app*

#### **Software EPview (for Windows PCs)**

Please download the free EPview software from one of these OLYMPUS websites:

<https://www.olympus-ims.com/en/service-and-support/downloads/>

<https://www.olympus-lifescience.com/en/support/downloads/>

#### **App EPview (for mobile devices)**

Install the free OLYMPUS EPview app. Use one of the two links listed below.

- **Apple App Store**

<https://itunes.apple.com/app/EPview/id1372702702>



Please note: Apple and the Apple logo are trademarks of Apple Inc., registered in the U.S. and other countries. App Store is a service mark of Apple Inc.



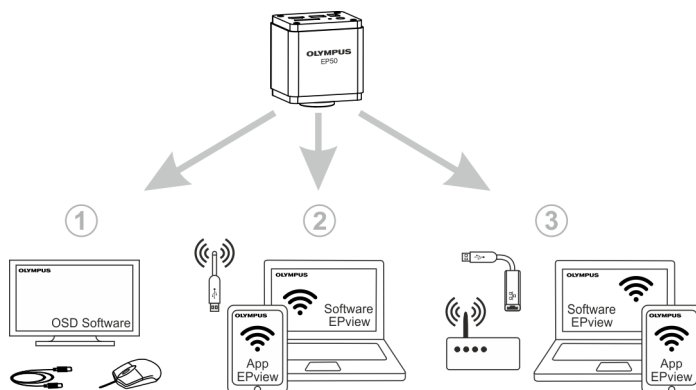
- **Google Play Store**

<https://play.google.com/store/apps/details?id=com.olympus.epview>

Please note: Google Play is a trademark of Google LLC.

## 6 Application scenarios of the camera

You can use the OLYMPUS EP50 in different application scenarios. Each application scenario requires a different hardware environment.



①

### Using the camera with OSD software

For this application scenario, apart from the camera and microscope, you only need a monitor with an HDMI port, the supplied USB mouse and the OLYMPUS EP50 OSD software that is installed on the camera. A computer or a network connection is not required to operate the camera.

OSD stands for On-Screen Display.

### Setup overview

- Connect the camera to a HDMI-capable monitor (or a projector) using the supplied HDMI cable.
- Connect the supplied USB mouse to the camera.
- Insert the supplied SD card into the camera.
- Connect the camera to the power supply and switch it on.
- Switch on the monitor and view the live-image in the OSD software.

*Please note:* The terms HDMI and HDMI High-Definition Multimedia Interface, and the HDMI Logo are trademarks or registered trademarks of HDMI Licensing Administrator, Inc. in the United States and other countries.

②

### Using the camera in the camera-specific WLAN

When operating the camera with a **Windows PC**, the free EPview software is required. It does not matter whether the Windows PC is a laptop, a notebook or a desktop PC. Just make sure that the Windows PC is a WLAN enabled device and uses one of these operating systems:

- Windows 7 (32/64 bit)
- Windows 8.1 (32/64 bit)
- Windows 10 (32/64 bit)

When operating the camera with a **mobile device**, the free EPview app is required. It does not matter whether the mobile device is a smartphone or tablet. Just make sure that the mobile device uses one of these operating systems:

- iOS 11 or higher
- Android 5.1 or higher.

*Please note:* Android is a trademark of Google LLC.

### Setup overview

- Install the EPview software on your Windows PC. Alternatively, install the EPview app on your mobile device.
- Plug the WLAN adapter into the USB port of the camera.
- Connect the camera to the power supply and switch it on.
- Connect the Windows PC or mobile device with the WLAN that the camera provides.

The network name (SSID) and the WLAN password can be found on the camera (on the sticker that contains the QR code).

In the EPview app, you can also use the QR Code function to scan the QR code with the camera of your mobile device.

- Start the EPview software or the EPview app and check the configuration. Normally, the OLYMPUS EP50 camera is automatically recognized.
- In the EPview app, select the camera by tapping on the thumbnail. In the EPview software, the camera is automatically selected.

*Please note:* **WLAN Disclaimer**

The camera can communicate wirelessly via the existing USB interface using a WLAN adapter. However, the WLAN adapter is not part of the scope of delivery and you are solely responsible for selecting, using and operating this accessory device. In particular, you must ensure that the WLAN adapter you are using has a corresponding radio license in your region. You are solely responsible for the functionality of the WLAN network. Possible sources of interference in the WLAN network can also influence the camera's functionality and performance.

**Selecting the WLAN channel**

When using several OLYMPUS EP50 cameras simultaneously, we recommend to use a different WLAN channel for each camera. This avoids interference between the individual cameras. Open the **Settings > Network** dialog box in the OSD software and select the **AP** tab. Note that some countries recommend the use of certain WLAN channels:

Country	Channel	Remark
USA	1, 6, 11	IEEE 802.11 g/n (2.4 GHz) 22/20 MHz; channels 12,13 not allowed
Other countries	1, 5, 9, 13	IEEE 802.11 g/n (2.4 GHz) 20 MHz

3

**Using the camera in LAN mode**

In LAN mode, the camera connects to a network (LAN). The USB Ethernet adapter must be plugged into the camera for this to work and the network cable must be plugged in, too. When the network (LAN) is equipped with the necessary hardware (WLAN router or Access Point), you can control the camera via WLAN with your mobile devices.

Active OLYMPUS EP50 cameras are automatically recognized by the **EPview** software or the **EPview** app and they are displayed as a thumbnail.

If active OLYMPUS EP50 cameras cannot be recognized automatically (for example, because they are connected to a different network), you can manually add them by entering the IP address in the **EPview** software or **EPview** app. To do so, contact your local network administrator. You can find more information in the **EPview** user manual.

### Setup overview

- Install the EPview software on your Windows PC. Alternatively, install the free EPview app on your mobile device.
- Plug the USB Ethernet adapter into the camera and plug the network cable in, too.
- Connect the camera to the power supply and switch it on.
- Make sure that your Windows PC or your mobile device is connected to the LAN or WLAN.
- Start the EPview software or app and check the configuration. Normally, active OLYMPUS EP50 cameras are automatically recognized. The live image of each camera is displayed. For the display, the EP50 Camera List tool window is used in the EPview software, and the Camera List dialog box is used in the EPview app.
- Select the OLYMPUS EP50 camera you are interested in. To do so, doubleclick the camera's thumbnail in the EP50 Camera List tool window if you use the EPview software. If you use the EPview app, tap the camera's thumbnail in the Camera List dialog box.



#### Note on data security

The data transfer of the OLYMPUS EP50 camera in LAN or WLAN is not encrypted. Anyone who is connected to the network and has installed the EPview software or app, can see the live image of all active OLYMPUS EP50 cameras. Operate the camera with the OSD software, if you want to make sure that nobody in the network can see the camera's live image.

## 7

### Contacting Customer Service

Please contact your local OLYMPUS support if you have any questions about the product. The addresses can be found on the following websites:

*Life Science Solutions* <https://www.olympus-lifescience.com/en/contact-us/>

*Industrial Solutions* <https://www.olympus-ims.com/en/contact-us/>